

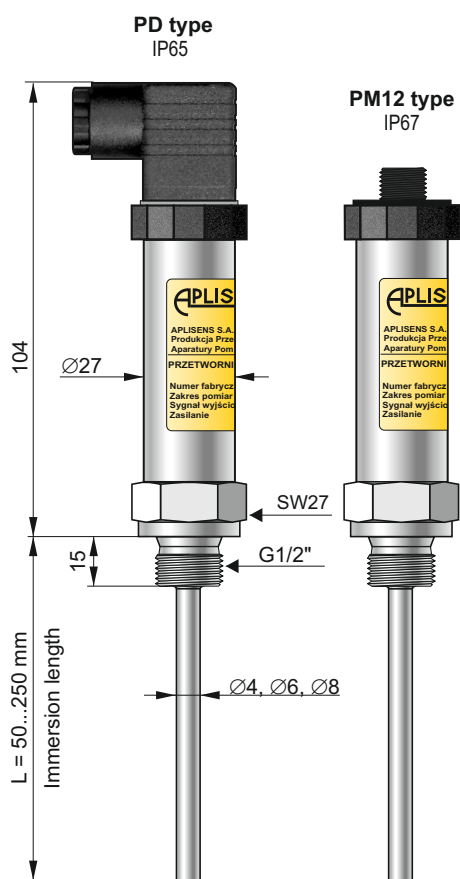
Temperature transmitter type PT-25

- ✓ Output signal 4 ÷ 20mA
- ✓ Stainless steel casing and wetted parts
- ✓ Factory configured

Application and construction

Temperature transmitter type PT-25 is designed for temperature measurement of liquid and gaseous media in range from -50 to +100°C. Resistance signal from RTD element is converted to standard 4...20mA output signal.

Casing of transmitter and wetted parts are made in stainless steel. Available electrical connections are angular connector DIN EN 175301-803 or connector M12x1.



Technical data

Output signal	4...20mA
Measuring range	0...50°C, 0...100°C, -50...50°C, -50...100°C, 25...75°C, 50...100°C other on request
Minimum span	25K
Accuracy	± 1%
Power supply	8...35 V DC
Alarm signal	<3,1mA or >26,1mA
Wetted parts material	316
Sensor diameter	Ø4, Ø6, Ø8mm
Process connection	G1/2", other on request
Immersion length	50...1000mm
Extension neck	on request
Ingress protection	PD - IP65, PM12 - IP67

Ordering procedure

PT-25/___/L = ... mm/___/___/___/___ ÷ ___ °C

Electrical connection: **PD** (connector DIN EN 175301-803)
PM12 (connector M12x1)

Immersion length: **L=...mm** (standard: 50, 100, 150, 200, 250 mm)

Diameter of sensor: **4, 6, 8 mm**

Connection thread: **G1/2"**, other on request

Measuring range

Alarm signal: **23 mA**