

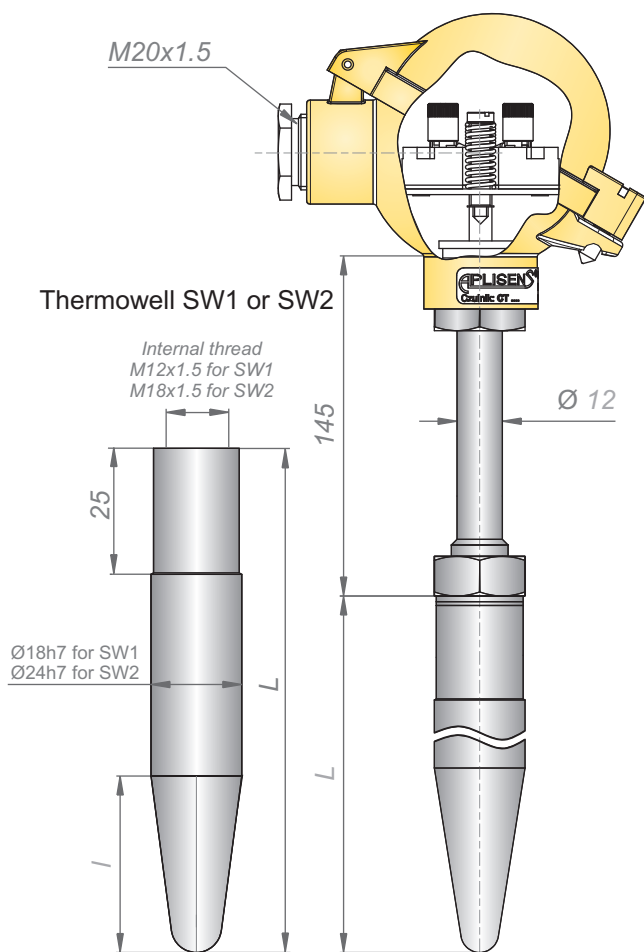
# Temperature sensor type CT SW1, CT SW2

now available with  
**BV marine certificate**

**TECHNICAL DATA:**

1. Measuring range:  
Pt: -70...500°C for 10H2M, 15HM  
J/K: 0...570°C for 10H2M; -40...540°C for 15HM
2. Admissible load:  
see **Graph 3** (page XI/ 17)
3. Material of wetted parts:  
15HM, 10H2M (\*)
4. Standard immersion length  
L=100, 140, 200 mm (\*)
5. Fastening (welding) diameter:

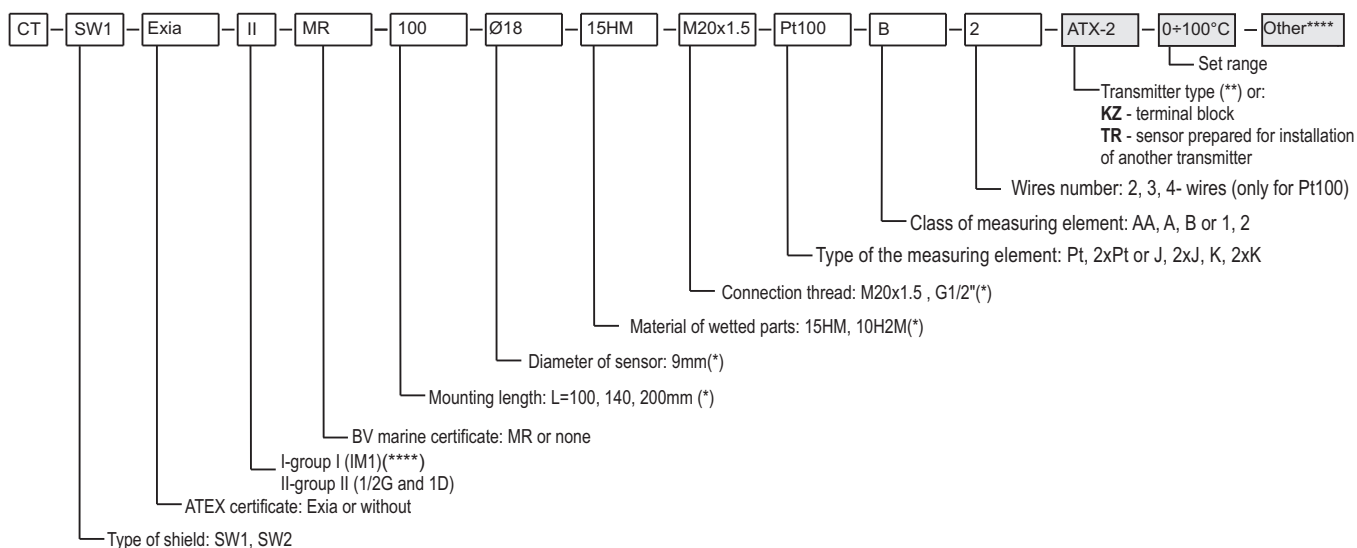
CT SW1	CT SW2
Ø=18h7	Ø=24h7



Type of sensor	Shield			Measuring insert Ø [mm]
	Ø [mm]	L [mm]	I [mm]	
CT SW1	18h7	100	35	3
		140	65	3
		200	65	3
CT SW2	24h7	140	65	6
		200	65	6

- Ex I M1 Ex ia I Ma
- Ex II 1/2 G Ex ia IIC T6..T1 Ga/Gb
- II 1D Ex iaD 20 T75°C Da

**Ordering procedure** with example of ordering code:



**ADDITIONAL INFORMATION:**

- 1.(\*) Non-standard version of temperature sensors on request.
- 2.(\*\*) Type of temp. transmitters: LI-24G, AT-2, GI-22-2, ATX-2, GIX-22-2 or other.
- 3.(\*\*\*) Temperature sensor for group I is produced with stainless steel housing.
- 4.(\*\*\*\*) Additional required parameters acc. to transmitter data sheet.