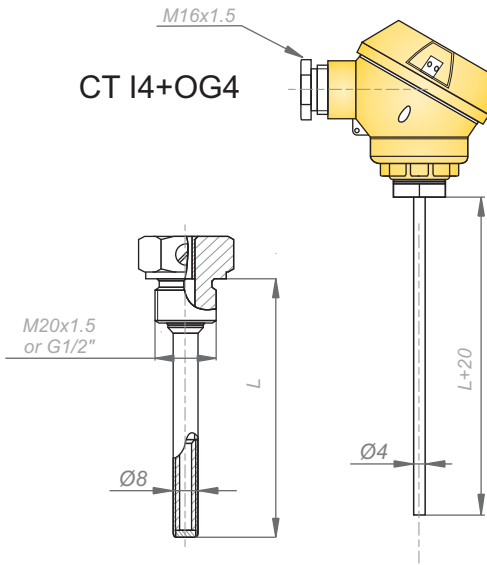


Temperature sensor type CT I4, CT I5

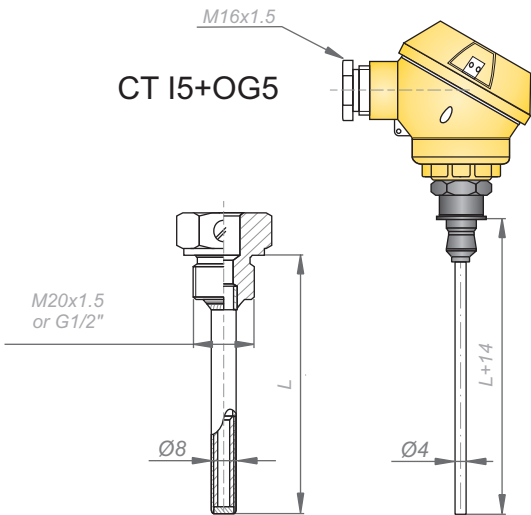


TECHNICAL DATA:

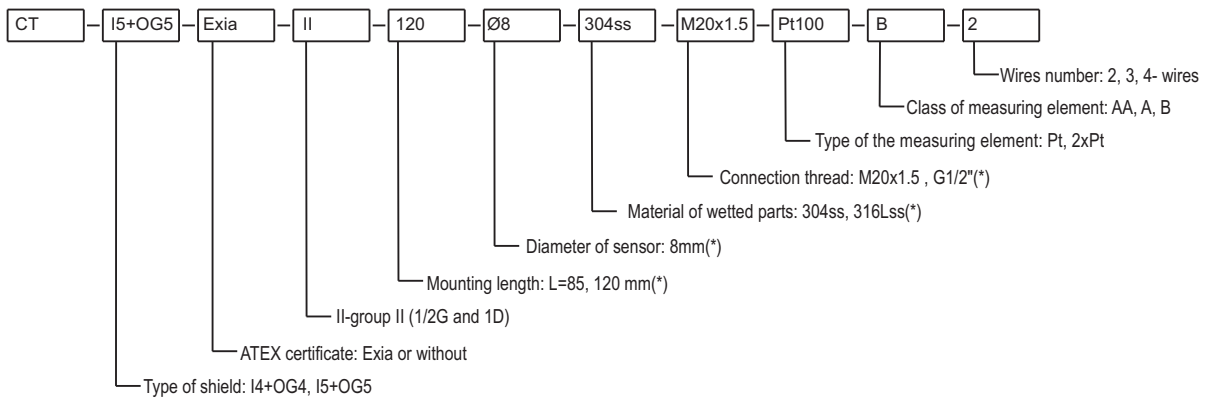
1. Measuring range:
Pt: -70...150°C
2. Admissible load:
OG4 and OG5: 1,6MPa
3. Material of wetted parts:
304ss or 316Lss (*)
4. Standard immersion length
Shield of sensor: L=85 or 120 mm (*)
5. Process connection:
M20x1,5 or G1/2" (*)
6. Time constant:

Type of sensor	T _{0,9} [s]
CT I4+OG4	≤ 15
CT I5+OG5	≤ 15

Ex II 1/2 G Ex ia IIC T6..T1 Ga/Gb
II 1D Ex iaD 20 T75°C Da



Ordering procedure with example of ordering code:



ADDITIONAL INFORMATION:

- 1.(*) Non-standard version of temperature sensors on request.