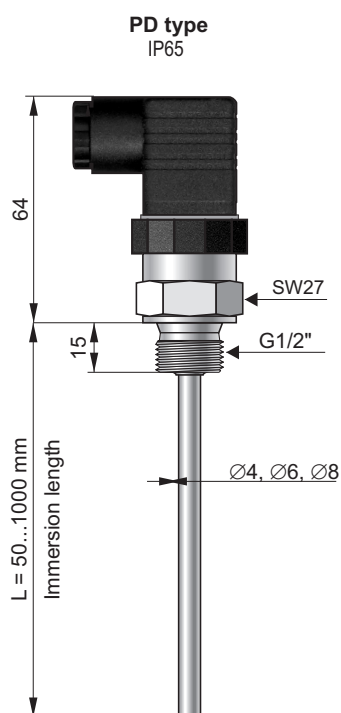


Temperature sensor type CT-25

- ✓ RTD output signal
- ✓ Stainless steel casing and wetted parts

Application and construction

Temperature sensor type CT-25 is designed for temperature measurement of liquid and gaseous media in range from -40 to +100°C. Casing of sensor and wetted parts are made in stainless steel. Available electrical connections are angular connector DIN EN 175301-803 or connector M12x1.



Technical data

Measuring range	-40...100°C
Accuracy	$\pm(0,3+0,005 t)$ °C (class B per IEC 60751)
Wetted parts material	316
Sensor diameter	Ø4, Ø6, Ø8mm
Process connection	G1/2", other on request
Immersion length	50...1000mm
Extension neck	on request
Ingress protection	PD - IP65, PM12 - IP67

Ordering procedure

CT-25/___/L = ... mm/___/___/___/___

- Electrical connection: **PD** (connector DIN EN 175301-803)
PM12 (connector M12x1)
- Immersion length: **L=...mm** (standard: 50, 100, 150, 200, 250 mm
other length on request)
- Diameter of sensor: **4, 6, 8 mm**
- Connection thread: **G1/2"**, other on request
- Measuring element: **Pt100**
- Number of wires: **2, 3, 2x2** (only in PM12 version)